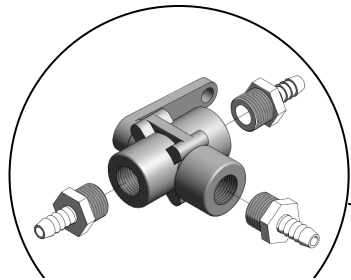
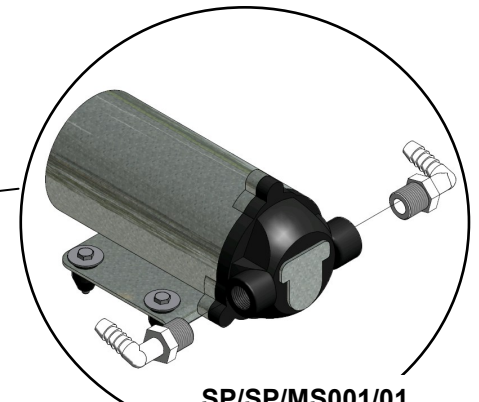
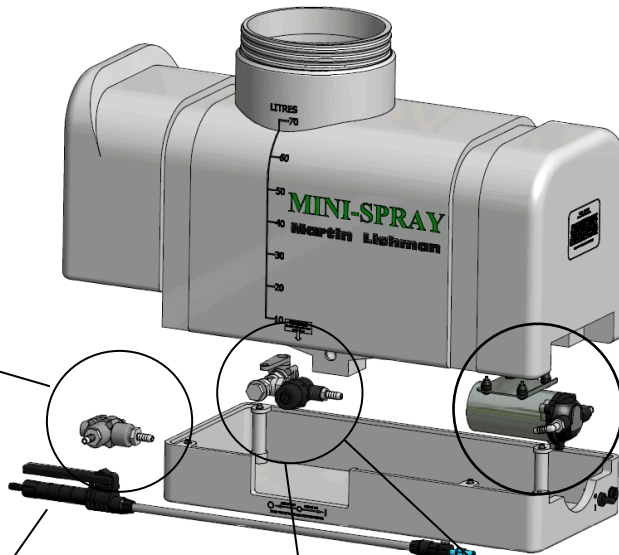


MS001 Sprayer Body Spares Diagram (Important! When ordering spares, please quote sprayer model and serial number)

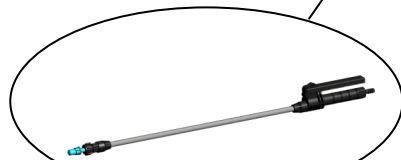
SP/SP/LID
Mini-Spray lid assembly



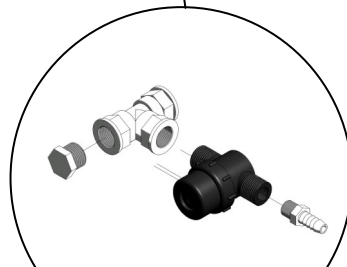
SP/SP/MS001/04
Ball valve spares kit



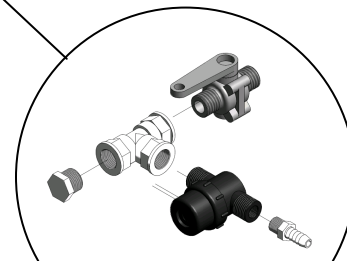
SP/SP/MS001/01
6.8 l/min pump assembly



SP/SP/MINI/HL
Hand lance assembly



SP/SP/MS001/03
Filter spares kit



SP/SP/MS001/02
Filter & ball valve spares kit