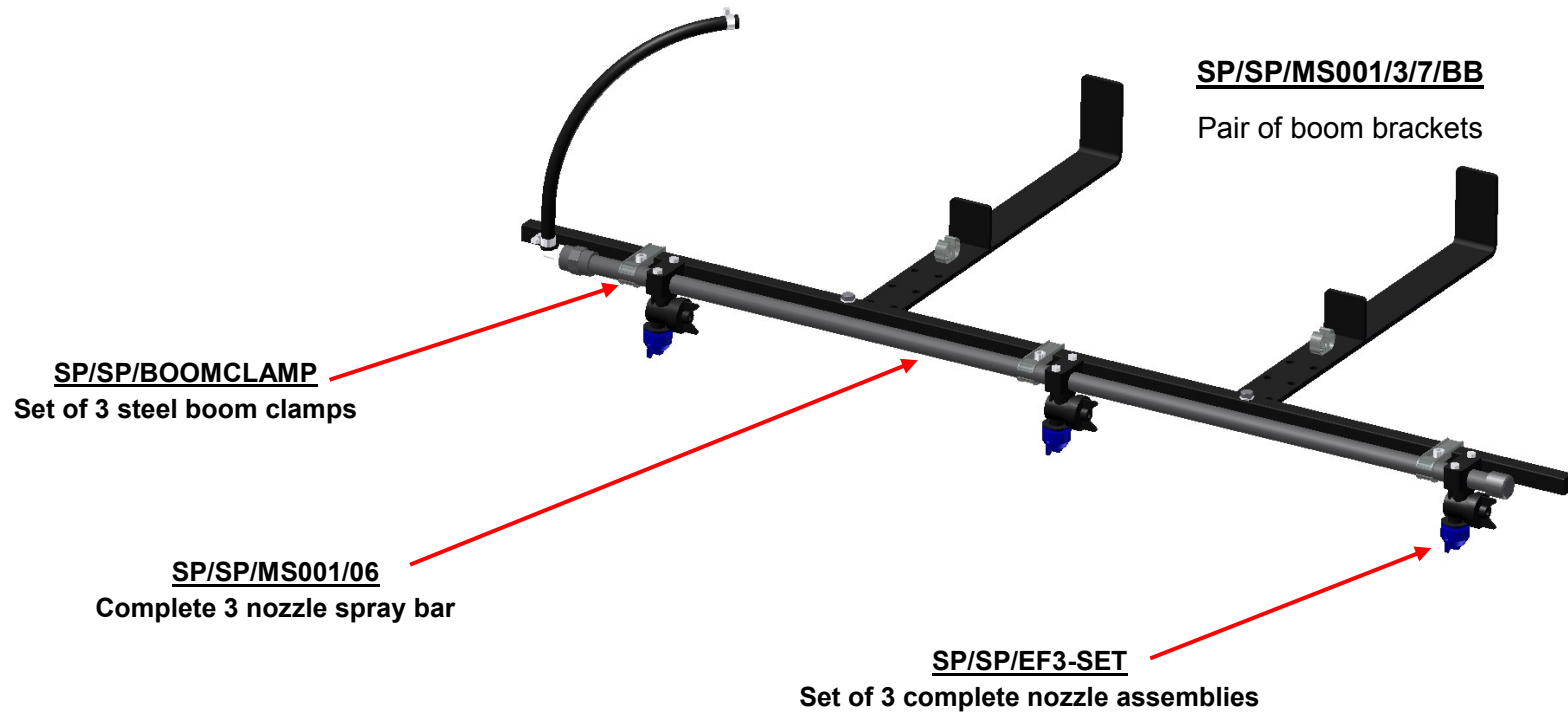


MS001 Boom Spares Diagram



The solvent fittings on the end of the spray bar can be damaged by frost, if the winter maintenance advice is not followed. To replace you will require:-

SP/SP/MS001/05, which includes the solvent fitting for each end of the spray line and a replacement screw in elbow